



Dust Control and Loading Systems

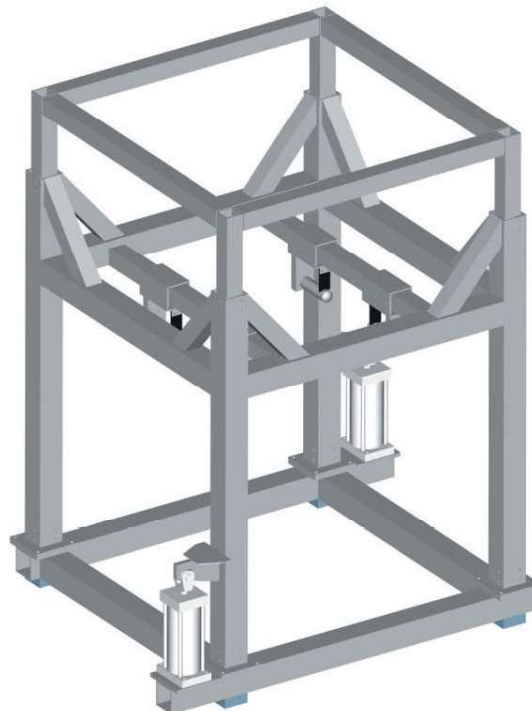
Leaders in Innovative Bulk Loading Systems Design

# Bag Fill Station

## BAG FILL STATION

DCL's dust free bulk bag filling stations are provided in configurations tailored for a specific bag and are designed to accommodate a full range of bag sizes. The systems use high accuracy scales with manual sequence or PLC controls. The bag fill station comes in two typical designs, a two post and four post.

A wide variety of options allow for manual or fully automatic operation. Bag filling options include; automatic strap release, powered and gravity, roller conveyors, empty pallet dispenser, full and dribble feed product flow control valve, drum and box filling adapters with simultaneous weighing and densifying and integral filters.



DCL offers a wide variety of bag fill stations that can handle bags from 25 to 60 cubic square feet.

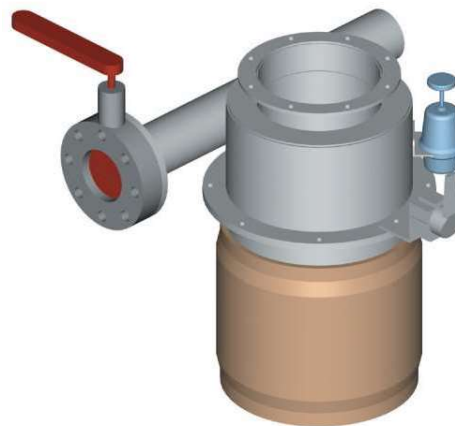
A choice of construction materials allow handling of all types of products; fine, granular, lumpy, abrasive, corrosive, and sanitary applications. A choice of electrical options are also available allowing for installation in almost any environment; NEMA 4, NEMA 4X, NEMA 7, NEMA 9, 120V/220V control, 460V/415V power, etc.

## BAG FILL NECK

Bag filling necks are typically used in conjunction with a bag filling station. The bag is sealed around the bag filling neck and

the bladder on the BFN is then inflated allowing for a complete dust tight seal. The bag filling neck dust outlet must be ducted to a dust collector in order to pull the air and dust from the bag.

A choice of construction materials allow handling of all types of products; fine, granular, lumpy, abrasive, corrosive, and sanitary applications. A choice of electrical options are also available allowing for installation in almost any environment; NEMA 4, NEMA 4X, NEMA 7, NEMA 9, 120V/220V control, 460V/415V power, etc.



### DCL BULK TECHNOLOGIES PVT. LTD.

(A 100% Indian Subsidiary of DCL Inc., U.S.A)

Plot No 18 A, Phase, -1, IDA, Jeedimetla, Hyderabad 500 055, Telangana State, India

Phone : +91-40-23093888 (Board Line)

e-mail : info@dclbulktech.com, marketing@dclbulktech.com

URL : www.dclbulktech.com